

# MR-90B Wireless ENG Receiver

## Introduction

The MIPRO MR-90B is a compact wireless receiver designed for professional camcorder applications. Matched with MIPRO ACT transmitters to achieve natural sound reproduction, the receiver eliminates the need for microphone cables during recording, ensuring safe and agile operation of camcorders. Furthermore, the MR-90B can also be installed on an active PA speaker via ACT transmitters or a MT-92A wireless interlinking transmitter of a MA-909 wireless mixer to turn active speakers into a wireless system.

## Key Features

- Waterproof, compact, and ultra-thin rugged aluminum housing construction.
- Various interface socket modules can be easily detached and installed to work with different camcorders, active speakers and other audio equipment.
- Detachable battery pack accessory needs only two AA batteries to provide at least 8 continuous hours of operation, eliminating the need for external power.
- UHF PLL synthesized circuit and dual-antenna true diversity technology for best reception quality.
- 100 preset channels in each 24 MHz band can be easily auto-scanned for a clear, interference-free frequency.
- 16 Channel presets specifically for wireless interlinking transmitter.
- World's first ACT™ (Automatic Channel Targeting) provides precise and rapid frequency sync to the transmitters.
- LCD panel shows frequency, RF and AF meters, diversity signals, and transmitter battery meter.
- Control panel has setup buttons for SCAN, ACT, SQUELCH, and LOCK functions, allowing easy and error-free setup.
- High fidelity and dynamic compander circuit provides balanced, high-gain audio signal output.
- Electronic power switch eliminates popping noise during power on/off.
- Working voltage is 6.5 – 12 V DC and the efficient power-saving design makes current consumption lower than 70 mA.
- Precision SMA antenna connectors with removable soft antennas.

## Transmitters

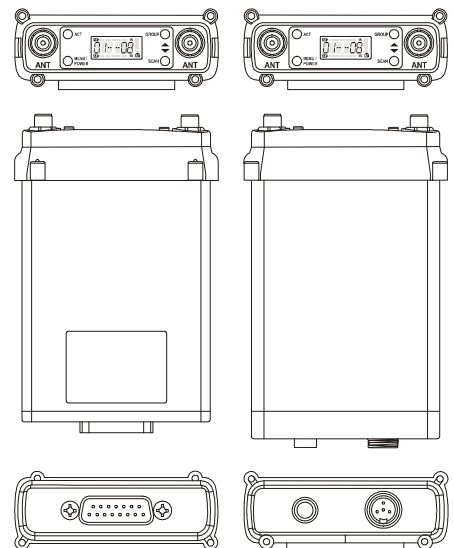
ACT-72H	Handheld Transmitter
ACT-72HC	Rechargeable Handheld Transmitter
ACT-72T	Bodypack Transmitter
ACT-72TC	Rechargeable Bodypack Transmitter
MT-92A	Wireless Interlinking Transmitter

## Accessories

MJ-90	Power Cord for SONY Camcorders
MR-90S	Standard Package
MR-90S15 / MR-90S25	Exclusive Socket Interface
MR-90SB	Built-in Battery Pack
MR-90SC	Mounting Fasteners

## Technical Specifications

Frequency Range	UHF 480 – 937 MHz (country dependent)
Bandwidth	24 MHz
Preset Channels	100 selectable channels
Channel Set-up	Scan & ACT sync
Frequency Response	80 Hz – 18 kHz (low frequency filter characteristics )
Max. S/N Ratio	107 dBA
Max. Output Level	Balanced 2.2 V rms open (T.H.D.=1%)
Spurious Rejection	> 80 dB
T.H.D.	< 0.15% (1 kHz, 15 kHz deviation)
Squelch Level	Adjustable range: 6 – 40 dBuV at 5 dB steps
Receiving Mode	True diversity
Oscillation Mode	PLL Synthesized
Frequency Stability	± 0.005% (-10°C – +60°C)
Sensitivity	6 µV at S/N > 76 dB
LCD Display	Frequency, RF / AF meters, Diversity signals and transmitter battery meter
Power Supply	6.5 – 12 V DC
Current Consumption	Approx. 70 mA
Dimensions (W × H × D)	73.5 × 120 × 28 mm / 2.9 × 4.7 × 1.1 "
Weight	Approx. 220 g / 7.7 oz



### MIPRO Electronics Co., Ltd

Headquarters: 814 Pei-kang Road, Chiayi, 60096, Taiwan  
Tel: +886.5.238.0809 | Fax: +886.5.238.0803  
www.mipro.com.tw | mipro@mipro.com.tw