

I. Part Names, Fig. 1

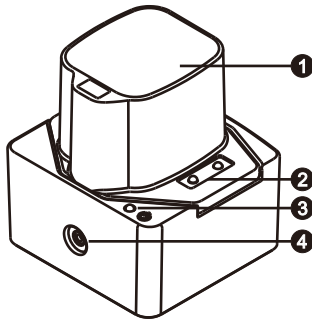
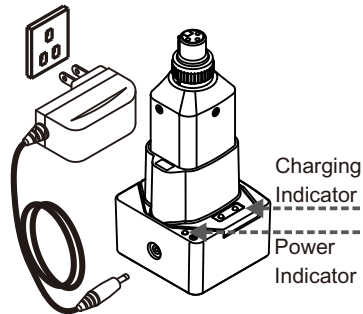
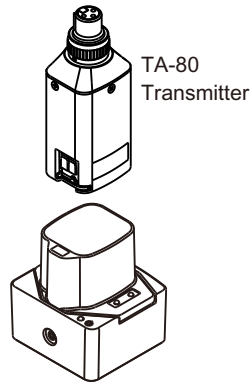


Fig. 1

- ❶ Charging Slot
- ❷ Charging Indicator
- ❸ Power Indicator
- ❹ DC Power Jack: center electrode connected to the positive voltage.

II. Operating Instructions, Fig 2



(The adaptor image is just for reference only)

Fig. 2

1. Insert the transmitters into the charging station in correct direction.
2. Connect the DC power input jack to the MP-8T.
3. Power Indicator: Indicator is lit when power plug is plugged in and the power supply is normal.
4. Charging Indicator: red light indicates charging; green light indicates full charge. It doesn't work if there is no transmitter inserted.
5. Cautions:
 - (A) Be sure to use the included MIPRO charger to avoid inadequate voltage or current. Ensure input supply voltage must not exceed a specified value to avoid damages to the charging station, rechargeable batteries and transmitters. MIPRO power supply has switching power output 5V/1A.

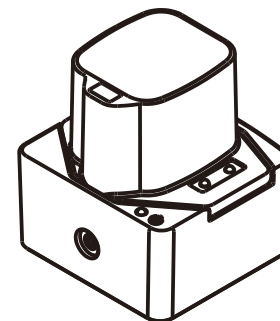
Single Slot Charging Station

- (B) Power off the transmitter before charging.
 - (C) Do not use other brands' charging station, to avoid possible danger.
6. Note: Refer to actual product in the event of product description discrepancy.

MIPRO®
MICROPHONE PROFESSIONALS

MP-8T Single Slot Charging Station

User Guide



MIPRO®
MICROPHONE PROFESSIONALS



All rights reserved. Do not copy or forward without prior approvals of MIPRO. Specifications and design subject to change without notice. YM 023/03

MIPRO Electronics Co., Ltd

Headquarters: No. 814, Beigang Rd., Chiayi City 600079, Taiwan
Tel.: +886.5.238.0809 Fax: +886.5.238.0803
www.mipro.com.tw mipro@mipro.com.tw



2CE644A