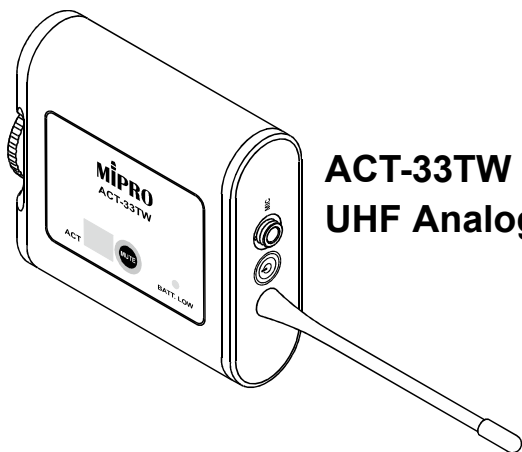


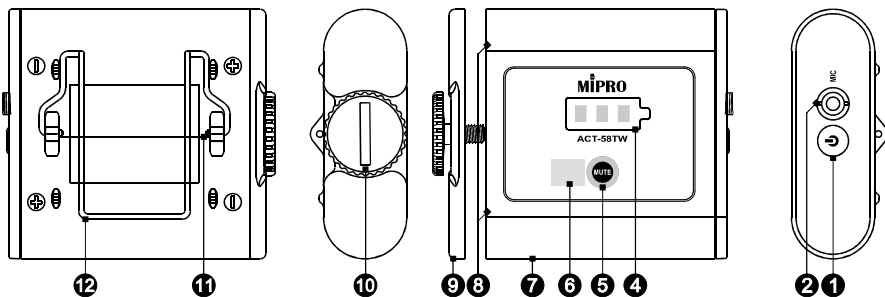
ACT-58TW
5 GHz Digital Bodypack Transmitter



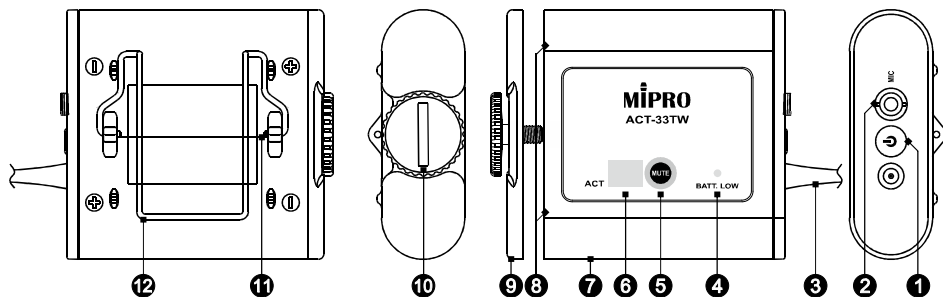
ACT-33TW
UHF Analog Bodypack Transmitter

Parts Name

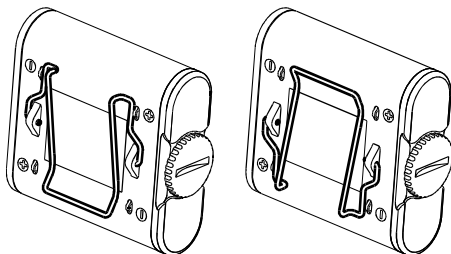
ACT-58TW



ACT-33TW



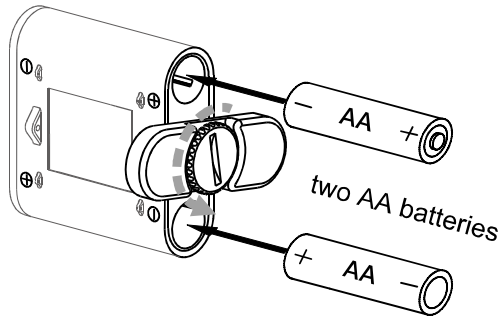
- ① Power Button
- ② Mic In Jack
- ③ Antenna (ACT-33TW)
- ④ Battery Gauge (ACT-58TW)
Power Indicator (ACT-33TW)
- ⑤ Mute Button and Indicator
- ⑥ ACT Sync Window
- ⑦ Main Chassis
- ⑧ Battery Compartment
- ⑨ Battery Cover
- ⑩ Thumb Screw Fastener
- ⑪ Belt Clip Hinges
- ⑫ Belt Clip (installed as shown below)



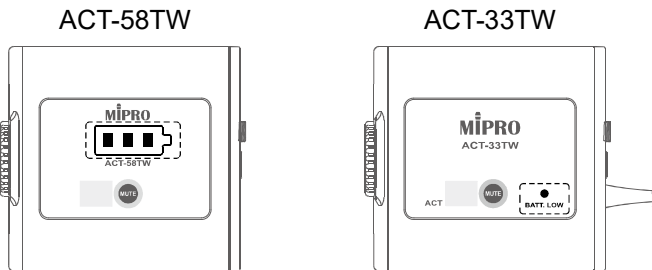
Battery Installation

1. Battery Installation:

- Turn the thumb screw fastener ⑩ in a counter-clockwise direction to unscrew. Rotate the battery cover to reveal the battery compartment.
- Insert two AA batteries in the correct direction as shown on the case.



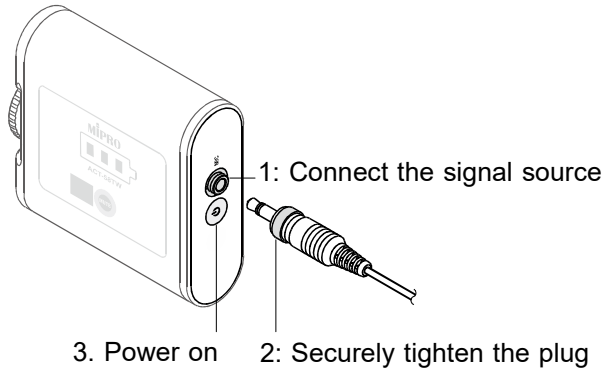
2. Insert the batteries and press the power button. If the Battery Gauge (ACT-58TW) / Power Indicator (ACT-33TW) does not light up, the batteries may be dead or inserted incorrectly. Please identify the problem and try again.



3. When the transmitter is not in use, please turn off the power to avoid power drain. If the transmitter is not in use for an extended period of time, please remove the batteries to prevent product damage from battery leakage. The factory warranty is automatically voided for malfunctioning products caused by battery leaks.

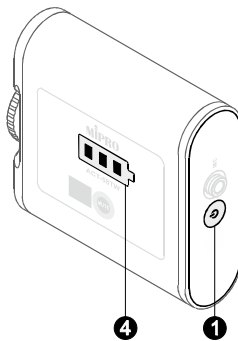
How to Use

1. Before turning on the power, insert the plug of the signal source into the Mic In Jack and securely tighten the plug to prevent noises caused by a loose connection.

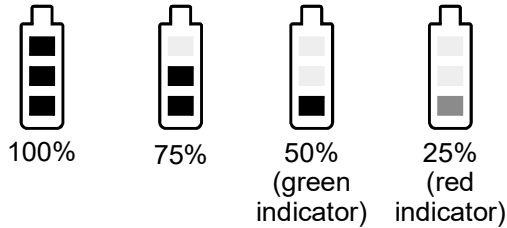


2. Power On/Off and Display

- ACT-58TW
- Hold the power button **1** to turn the transmitter on or off. The battery gauge **4** turns on when powered on and goes out when powered off.

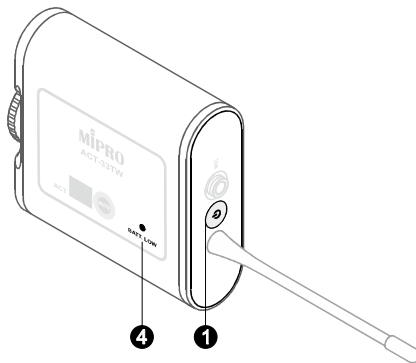


- The meanings of the battery gauge indicator are given below. When battery is low, the red indicator is shown and the batteries should be replaced as soon as possible. If the voltage is too low, the transmitter will automatically shut down.



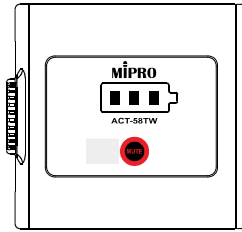
- ACT-33TW

- Hold the power button **1** to turn the transmitter on or off. The power indicator **4** lights up in green when powered on and goes out when powered off.
- Battery indicator **4** : Green indicator denotes normal; red indicator denotes low battery and the batteries should be replaced as soon as possible.
If the voltage is too low, the transmitter will automatically shut down.
- During ACT, if the indicator **4** light is flashing, it means that the transmitter and receiver have different frequency bands. Check the frequency band codes shown on the stickers on the transmitter and receiver.

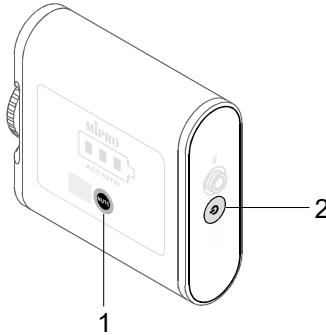


3. Mute

- Mute button: The mute button toggles between mute (indicator ⑤ is on) and un-mute (indicator is off).



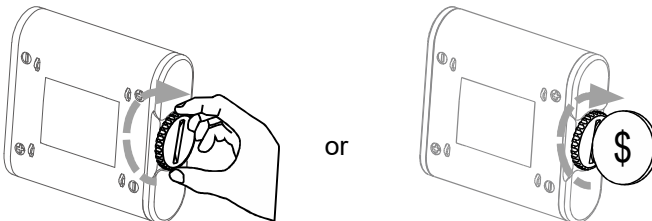
- Mute Lock/Unlock: With the transmitter powered off, hold down the mute button ⑤ and press the power button ① simultaneously to toggle between mute locked/unlocked. (The default setting is Mute Lock mode)



4. Waterproofing instructions: This product is designed according to waterproof standards but must be used in compliance with the following instructions.

- Properly tighten the thumb screw fastener to secure the battery cover and the main chassis:

Use the hand or a coin to tighten the thumb screw fastener after inserting or replacing the batteries. Please note that no gap should be visible between the battery cover and the case to ensure waterproof operation.



- Use with exclusive waterproof microphones:

Please use the genuine MIPRO MU-57 Series waterproof microphones and make sure that the microphone plugs are securely tightened, thus to avoid liquid enter the transmitter through the jack, resulting in malfunction or failure.

Notes

1. Commercially available batteries are intolerant of heat and can become more susceptible to leakage when placed or used under higher temperatures. Please remove the batteries when the product will not be used for a long time.
2. This product is rated IP67. However, it will lose its waterproof properties when submerged in any type of solvent.
3. Please refer to the actual product in the event of product description discrepancy.
4. The frequency range and maximum deviation comply with the regulations of different countries.
5. Spraying alcohol directly onto the condenser capsule module will cause severe damage and invalidate the warranty.

Federal Communication Commission Interference Statement (ACT-58TW)

This equipment has been tested and found to comply with the limits for a Class B digital device, pursuant to Part 15 of the FCC Rules. These limits are designed to provide reasonable protection against harmful interference in a residential installation.

This equipment generates, uses and can radiate radio frequency energy and, if not installed and used in accordance with the instructions, may cause harmful interference to radio communications. However, there is no guarantee that interference will not occur in a particular installation. If this equipment does cause harmful interference to radio or television reception, which can be determined by turning the equipment off and on, the user is encouraged to try to correct the interference by one of the following measures:

- Reorient or relocate the receiving antenna.
- Increase the separation between the equipment and receiver.
- Connect the equipment into an outlet on a circuit different from that to which the receiver is connected.
- Consult the dealer or an experienced radio/TV technician for help.

FCC Caution: To assure continued compliance, any changes or modifications not expressly approved by the party responsible for compliance could void the user's authority to operate this equipment. (Example - use only shielded interface cables when connecting to computer or peripheral devices).

FCC Radiation Exposure Statement

RF Exposure Information (SAR)

This device meets the government's requirements for exposure to radio waves. This device is designed and manufactured not to exceed the emission limits for exposure to radio frequency (RF) energy set by the Federal Communications Commission of the U.S. Government.

The exposure standard for wireless devices employing a unit of measurement is known as the Specific Absorption Rate, or SAR. The SAR limit set by the FCC is 1.6W/kg.

The FCC has granted an Equipment Authorization for this device with all reported SAR levels evaluated as in compliance with the FCC RF exposure guidelines. SAR information on this device is on file with the FCC and can be found under the Display Grant section of www.fcc.gov/oet/ea/fccid after searching on FCC ID: M5X-ACT58TW.

This device complies with Part 15 of the FCC Rules. Operation is subject to the following two conditions:

(1) This device may not cause harmful interference, and (2) This device must accept any interference received, including interference that may cause undesired operation.

CE

Caution: risk of explosion if battery is replaced by an incorrect type. Dispose of used batteries according to the instructions

Please add operating frequency bands and the maximum RF power (Target power) transmitted in each band.

Hereby, *[Name of the manufacturer]* declares that the radio equipment type *[designation of type of radio of equipment]* is in compliance with Directive 2014/53/EU.

The full text of the EU declaration of conformity is available at the following internet address: www.address.com/DoC.pdf

RF Exposure Information (MPE)

This device meets the EU requirements and the International Commission on Non-Ionizing Radiation Protection (ICNIRP) on the limitation of exposure of the general public to electromagnetic fields by way of health protection. To comply with the RF exposure requirements, this equipment must be operated in a minimum of 20 cm separation distance to the user.

FCC Radiation Exposure Statement (MPE) (ACT-33TW)

This equipment complies with FCC RF radiation exposure limits set forth for an uncontrolled environment. This equipment should be installed and operated with a minimum distance of 0.5 centimeters between the radiator and your body.

This transmitter must not be co-located or operating in conjunction with any other antenna or transmitter.

The antennas used for this transmitter must be installed to provide a separation distance of at least 0.5 cm from all persons and must not be co-located or operating in conjunction with any other antenna or transmitter.



Dispose of any unusable devices or batteries responsibly and in accordance with any applicable regulations.

Disposing of used batteries with domestic waste is to be avoided!



Batteries / NiCad cells often contain heavy metals such as cadmium(Cd), mercury(Hg) and lead(Pb) that makes them unsuitable for disposal with domestic waste. You may return spent batteries/ accumulators free of charge to recycling centres or anywhere else batteries/accumulators are sold.



By doing so, you contribute to the conservation of our environment!

MIPRO ELECTRONICS CO., LTD.

Headquarters: NO. 814, Beigang Rd., Chiayi City 600079, Taiwan

Tel : +886-5-238-0809

Fax : +886-5-238-0803

www.mipro.com.tw

mipro@mipro.com.tw



2CE689D

All rights reserved. Do not copy or forward without prior approvals of MIPRO.
Specifications and design subject to change without notice. YM 026/02