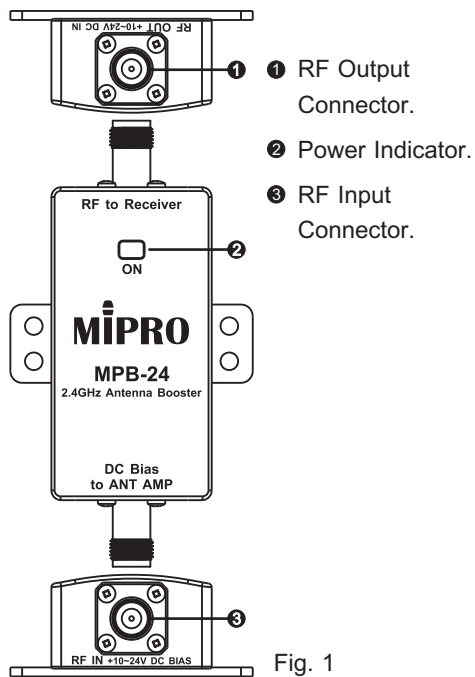
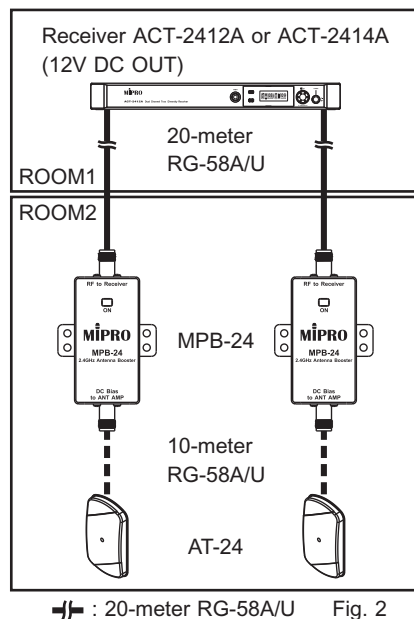


## I. Part Names, Fig. 1



## II. Application

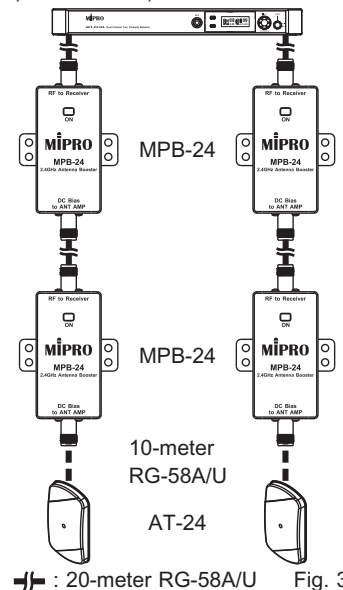
### 1. Application 1: General Environment, Fig. 2



1 2

### 2. Application 2: Long Cable Set-Up, Fig. 3

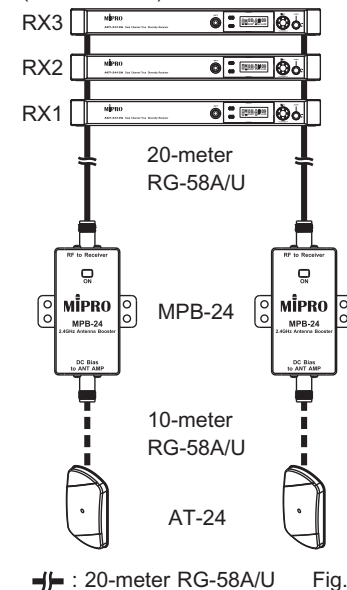
Receiver ACT-2412A or ACT-2414A (12V DC OUT)



3 4

### 3. Application 3: Multi Receiver, Fig. 4

Receiver ACT-2412A or ACT-2414A (12V DC OUT)



## 2.4 GHz Antenna Booster

### III. Cable Connection Recommendation

- 20-meter RG-58A/U cable with MIPRO MPB-24 antenna booster connection is highly recommended for enhanced signal strength boost.
- Insufficient or exceeding signal strength will occur if the cable used is too long or too short.
- Note: Refer to actual product in the event of product description discrepancy.

5 6

## 2.4 GHz Antenna Booster

### Disposal



2005-08-15

Dispose of any unusable devices or batteries responsibly and in accordance with any applicable regulations.

Disposing of used batteries with domestic waste is to be avoided!

Batteries / NiCad cells often contain heavy metals such as cadmium(Cd), mercury(Hg) and lead(Pb) that makes them unsuitable for disposal with domestic waste. You may return spent batteries/ accumulators free of charge to recycling centres or anywhere else batteries/accumulators are sold.

By doing so, you contribute to the conservation of our environment!

**MIPRO**<sup>®</sup>  
MICROPHONE PROFESSIONALS

**MIPRO Electronics Co., Ltd**  
Headquarters: 814 Pei-Kang Road, Chiayi, 60096, Taiwan  
Tel : +886.5.238.0809 Fax : +886.5.238.0803  
www.mipro.com.tw mipro@mipro.com.tw



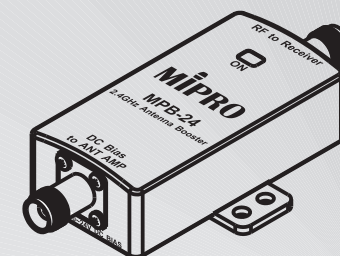
All rights reserved. MN 019/02  
Do not copy or forward without prior approvals MIPRO.  
Specifications and design subject to change without notice.

# MIPRO<sup>®</sup>

## MPB-24

### 2.4 GHz Antenna Booster

#### User Guide



100% Made in Taiwan